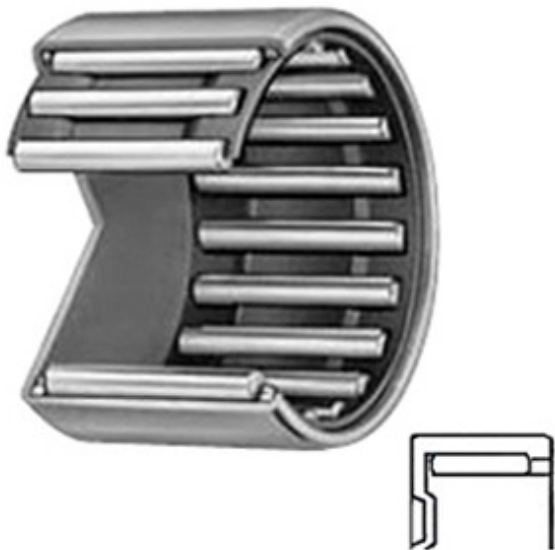




Mexican Unique Bearings S.A. De C.V.



BHAM1820 Bearing 2D drawings and 3D CAD models

IKO BHAM1820 Inch - Heavy Duty - Closed end, Shell Needle Roller Bearing NEW!

Bearing No. BHAM1820

Category	Needle Non Thrust Roller Bearings
Inventory	0.0
Manufacturer Name	IKO
Minimum Buy Quantity	N/A
Weight	0.078
EAN	4549557003776
Product Group	B04144
Rolling Element	Needle Roller Bearing
Component	Roller Assembly with Outer Ring - No Inner Ring
Enclosure	Open
Self Aligning	No
Retainer	Yes
Number of Rows of Rollers	Single Row
Separable	No
Closed End	Yes
Inch - Metric	Inch
Relubricatable	No
Thrust Bearing	No
Long Description	1-1/8" Bore; 1-1/2" Outside Diameter; 1-1/4" Width; Needle Roller Bearing; Roller Assembly with Outer Ring - No Inner Ring; Open Enclosure; No Self Aligning; Yes Retainer; Single Row of
Other Features	1 Rib Outer Ring Drawn



Mexican Unique Bearings S.A. De C.V.

	Cup Bearing Heavy Duty
Category	Needle Non Thrust Roller Bearing
UNSPSC	31171512
Harmonized Tariff Code	8482.40.00.00
Noun	Bearing
Keyword String	Needle
Manufacturer URL	http://www.ikont.com
Manufacturer Item Number	BHAM1820
Weight / LBS	0.172
D	1.5 Inch 38.1 Millimeter
B	1.25 Inch 31.75 Millimeter
d	1.125 Inch 28.575 Millimeter